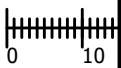
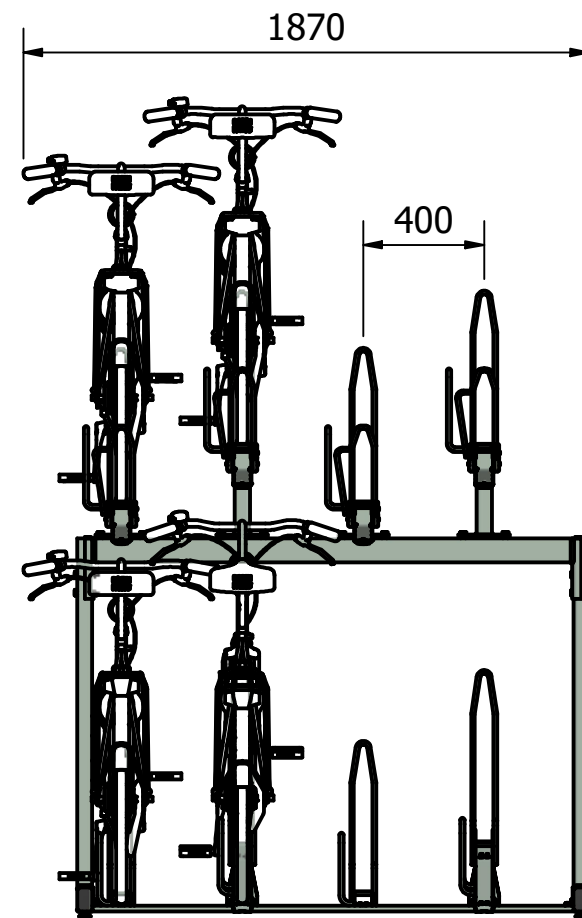
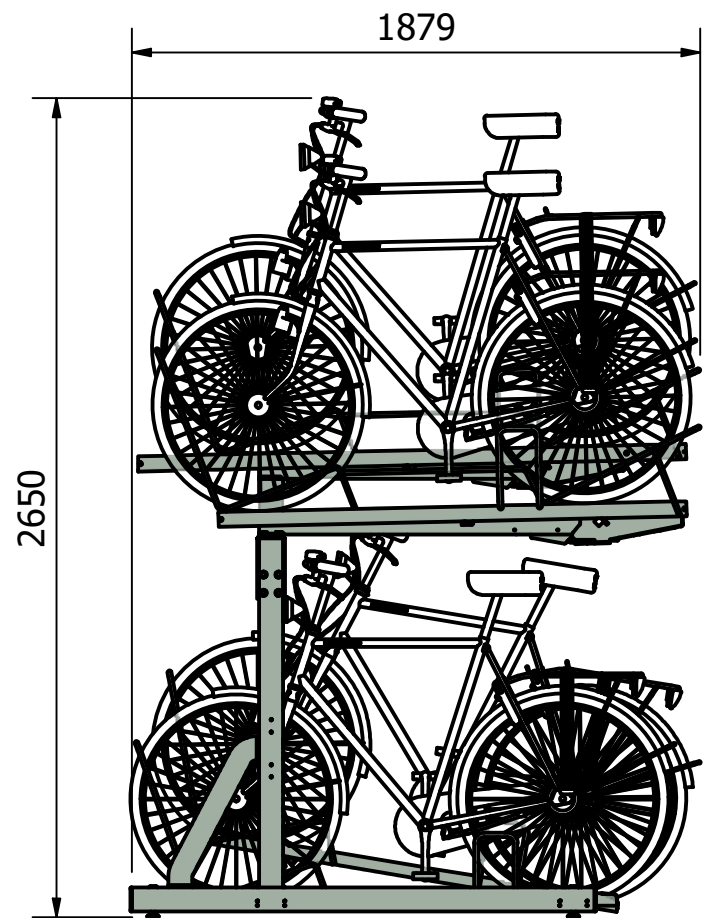
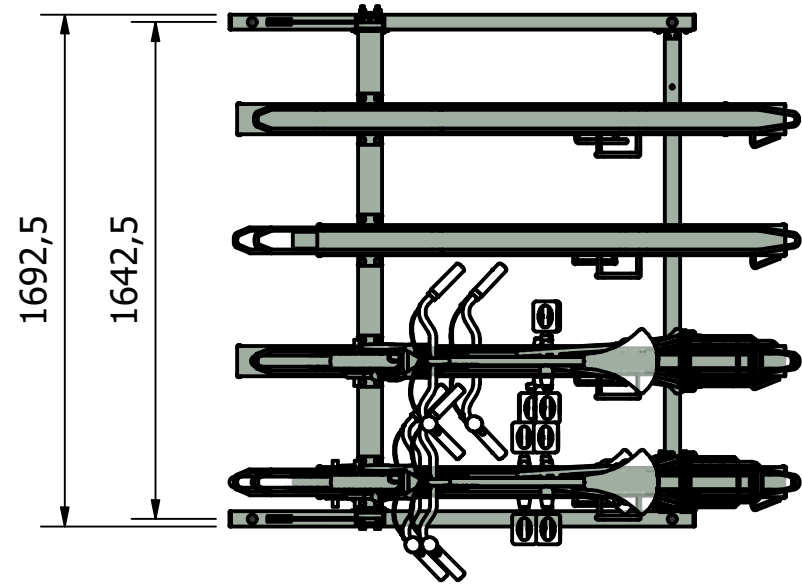



Rev	Date	By
-	16-12-2025	RBO



 Falco BV Postbus 18 7670AA Vriezenveen	T +31 (0)546 55 44 44 F +31 (0)546 56 11 15 I www.falco.nl	Item number:	Revision:
		E0114485	-
Drawn by: RBO	Drawing unit: mm	Title:	Format:
Date: 16-12-2025	Scale: 1 : 25	FalcoLevel Eco+ EX enkelzijdig 4+4 plaatsen h.o.h. 400mm	A3
Document No.: E0114486.dwg -	Page: 1 / 1		