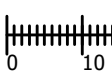
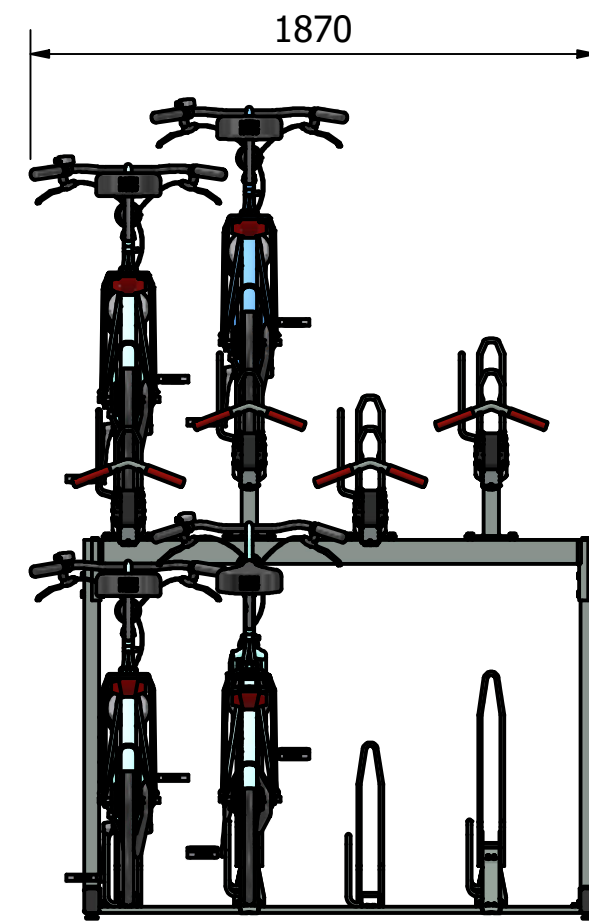
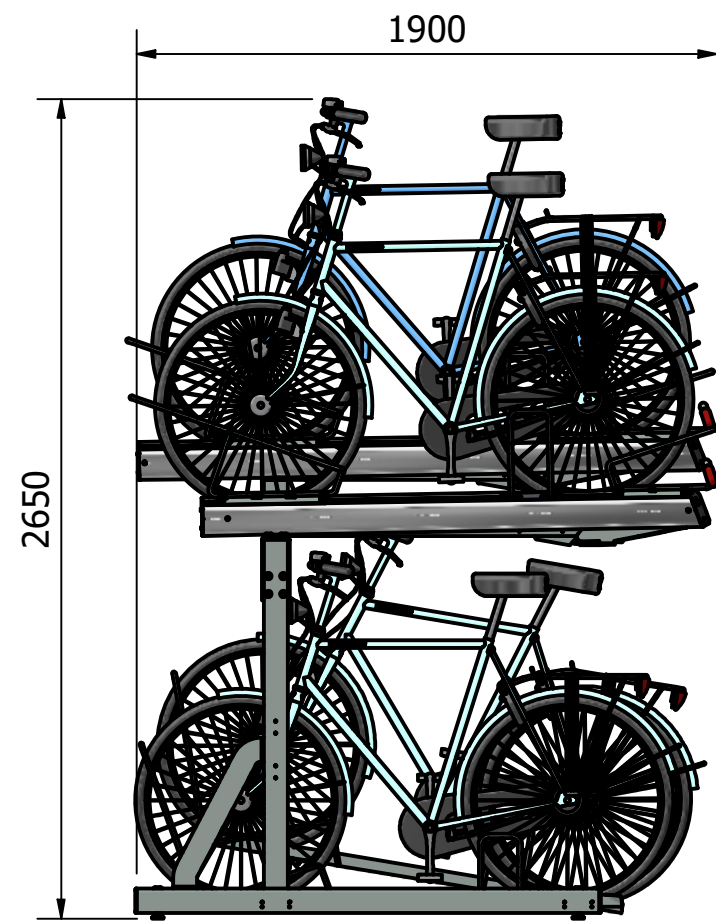
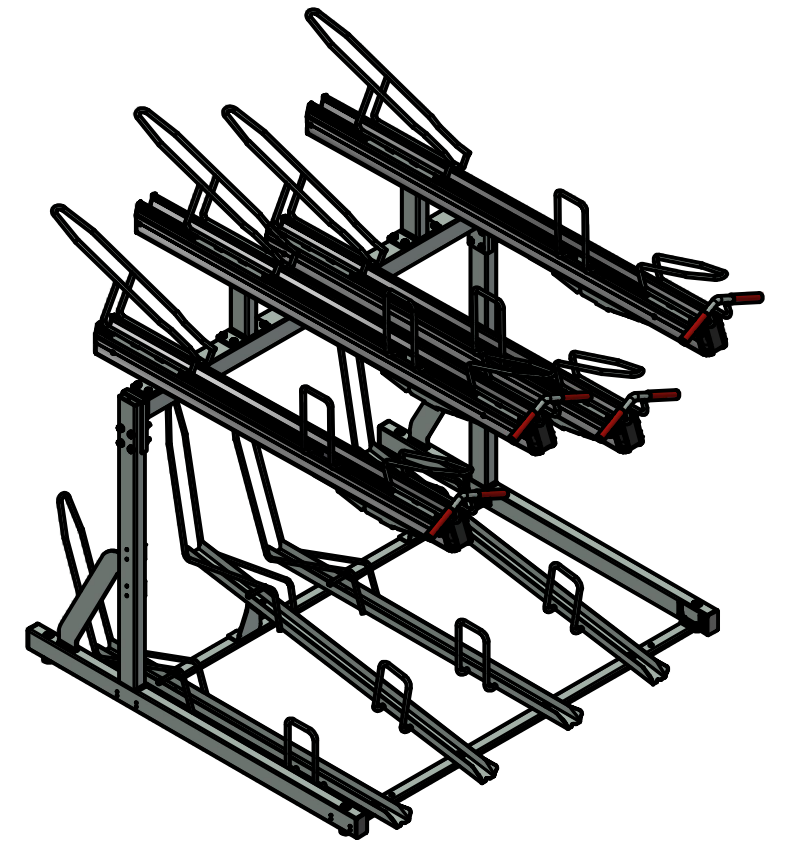
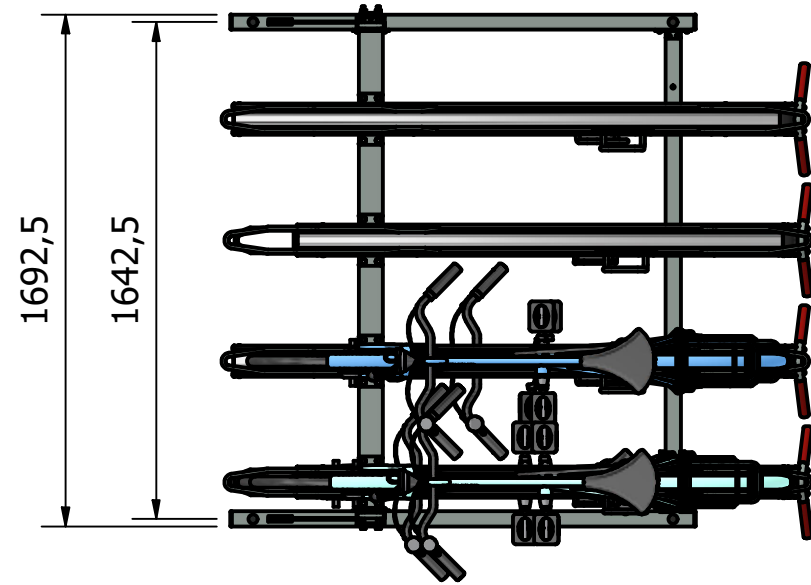




Rev	Date	By
-	16-12-2025	RBO



 Falco BV Postbus 18 7670AA Vriezenveen	T +31 (0)546 55 44 44 F +31 (0)546 56 11 15 I www.falco.nl	Item number: E0114487	Revision: -
		Title: FalcoLevel Premium+ EX enkelzijdig 4+4 plaatsen h.o.h. 400mm	Format: A3
Drawn by: RBO	Drawing unit: mm	Document No.: E0114488.dwg -	
Date: 16-12-2025	Scale: 1 : 25	Page: 1 / 1	